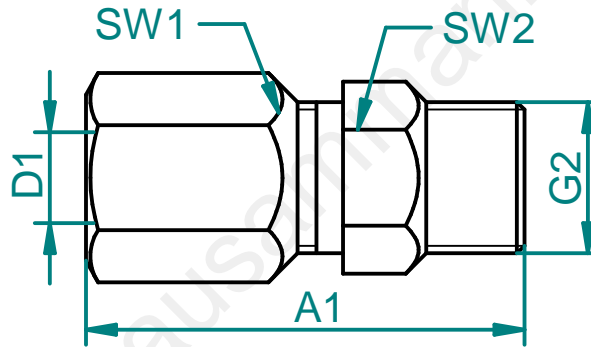


General tolerances ISO 2768-m						Index	Date	Visum	Modification	Index	Date	Visum	Modification
Basic-size	...6	> 6 ...30	> 30 ...120	>120 ...400	> 400 ...1000								
medium	±0.1	±0.2	±0.3	±0.5	±0.8								



Specifications points D,K,H	
D= doc.points	
K= critical	
H= main	

		Material:													
Accord-draw.no.:	Origin-draw.no.:	Replacement for:	Scale												
			<table border="1"> <thead> <tr> <th>Date</th> <th>Visum</th> <th>Phone</th> </tr> </thead> <tbody> <tr> <td>06.07.11</td> <td>E.Z</td> <td></td> </tr> <tr> <td>plotted</td> <td></td> <td></td> </tr> <tr> <td>checked</td> <td></td> <td></td> </tr> </tbody> </table>	Date	Visum	Phone	06.07.11	E.Z		plotted			checked		
			Date	Visum	Phone										
06.07.11	E.Z														
plotted															
checked															
76.140	<b>Solid Edge</b>	Format <b>A4</b>	Index <b>00</b>												